



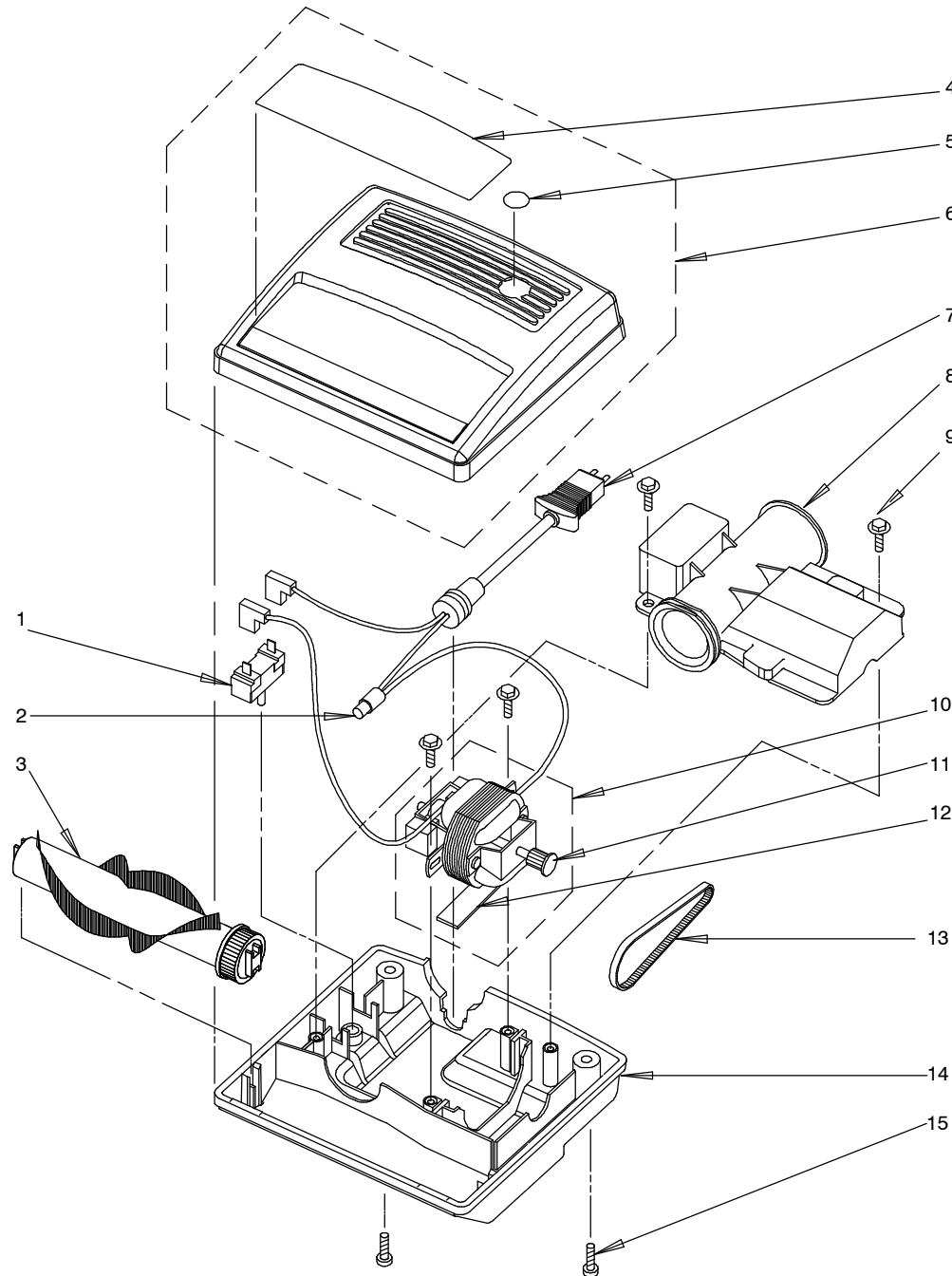
RainbowMate

MODEL RM-2

BEGINNING SERIAL NUMBER 0000001

THE CONFIGURATION OF THE RAINBOW CLEANING SYSTEM AND THE WORDS "RAINBOW" AND "REXAIR" ARE REGISTERED TRADEMARKS OF REXAIR, INC., TROY, MICHIGAN.

RAINBOWMATE ASSEMBLY



ITEM NO.	NO. REQ.	PART NO.	PART DESCRIPTION	PRICE
1	1	R5421	Circuit Breaker, .80 Amp	
2	2	R1775	Closed End Splice (10's)	
3	1	R4873	Brush Tube Assembly	
4	1	R4896	Applique	
5	1	R2521	Rexair Logo	
6	1	R4891	Top Housing Assembly - Includes - R-4896 Applique R-2521 Rexair Logo	
7	1	R4889	Electric Cord	
8	1	R4890	Manifold Assembly, 120-Volt	
9	4	H571	Screw W/Washer (10's)	
10	1	R4882	Motor Assembly, 120-Volt - Includes - R-4887 Motor Pulley R-4885 Motor Isolator Strip	
11	1	R4887	Motor Pulley	
12	1	R4885	Motor Isolator Strip	
13	1	R4879	Belt	
14	1	R4893	Lower Housing Assembly	
15	2	H556	Screw 8-10x.62 (10's)	
*16	1	R4886	Motor Boot (Effective Serial No. Up To 0040996)	
*17	1	R6154 R6157	Operation Manual Operation Manual, (Spanish)	

*Not Shown