



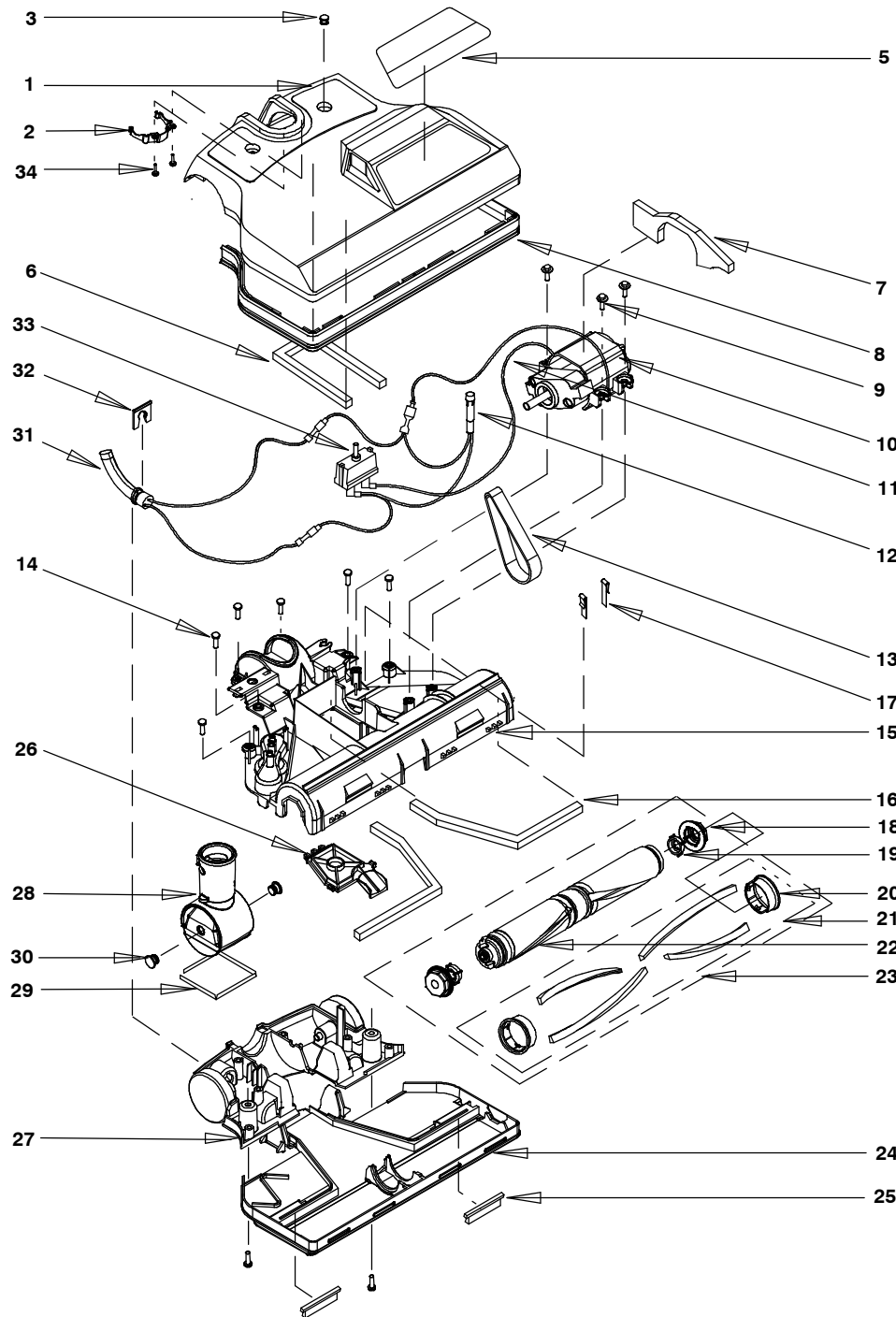
“Performance Edition”

Power Nozzle

Beginning Serial Number 6000000

The Configuration Of The Rainbow Cleaning System And The Words "RAINBOW" And "REXAIR" Are Registered Trademarks Of Rexaor, Inc., Troy, Michigan.

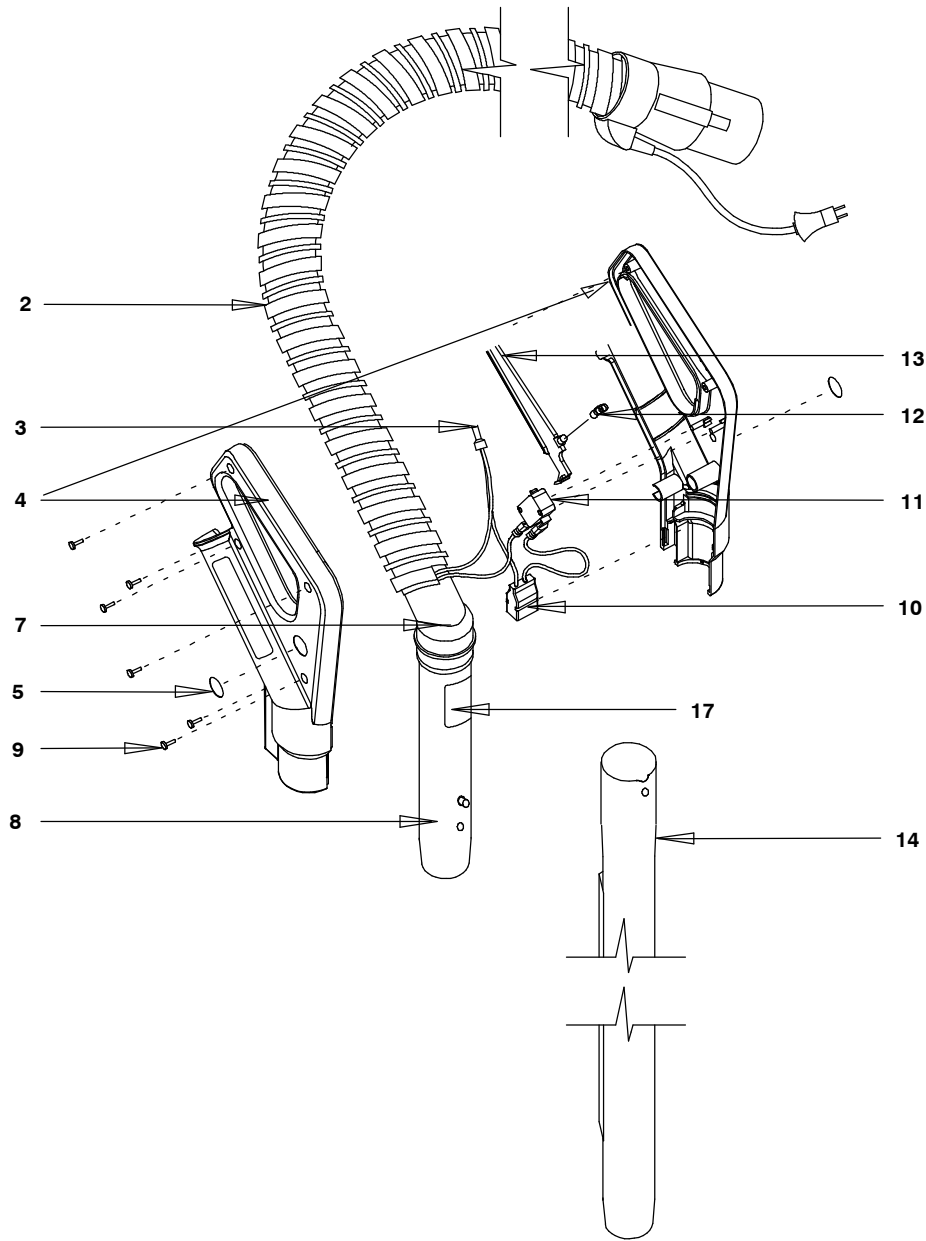
POWER NOZZLE ASSEMBLY



ITEM NO.	NO. REQ.	PART NO.	PART DESCRIPTION	PRICE
1	1	R6061	Cover Assembly Complete – Includes –	
2	1	R5836	Upright Lock Clip	
3	1	R5659	Pilot Light Lens	
*4	1	R6848	Belt Vent & Viewing Lens (Replaced R-5650 Lens)	
5	1	R5837	Applique	
6	1	R2003	Motor Seal Gasket	
7	1	R5834	Air Barrier (Use w/Rear Sole Plate & Manifold Produced Up To Serial No. 6459668)	
		R6934	Air Barrier (Use w/Rear Sole Plate & Manifold Produced After Serial No. 6459667)	
		R7005	Air Barrier Kit (Use To Modify R-5834 Air Barrier)	
8	1	R5649	Power Nozzle Bumper	
9	3	H571	#8 – 10x.64 Screw (10's)	
10	1	R8401	Motor Asm., 120V, Complete – Includes –	
11	1	R5672	Motor Lead Asm.	
		*R10581	Sleeve Bearing and Bracket	
		*R11741	Brush, Terminal & Clip Asm	
		*R11066	Sleeve Bearing/Bracket w/Seal	
12	1	R5654	Pilot Light/Harness Asm., 120V	
13	1	R1699	Drive Belt	
14	8	H556	#8 – 10x.62 Plascrew (10's)	
15	1	R6058	Manifold Assembly Complete – Includes –	
16	2	R5833	Airpath Gasket	
17	2	R5614	Belt Guard	
18	2	R5593	Bearing Retainer	
19	2	R5592	Bearing Boot	
20	2	R5594	Thread Guard	
21	1	R6063	Brush Roll Thread Guard/Bristle Strip Kit (Includes 2 Thread Guards, 4 Bristle Strips)	
22	1	R6062	Brush Roll W/Bearings & Studs	
23	1	R5590	Brush Roll Assembly Complete	
24	1	R6059	Front Sole Plate Complete – Includes –	
25	2	R5839	Brush Strip	
26	1	R5820	Belt Cover	
27	1	R6057	Rear Sole Plate Assembly Complete (Wheels Installed)	
28	1	R6060	Pivot Arm Asm – Includes	
29	1	R5835	Pivot Arm Gasket	
30	2	R5652	Clevis Pin (10's)	
31	1	R5653	Power Nozzle Cord, 120V	
32	1	R2605	Strain Relief Support	
33	1	R8452	Circuit Breaker, 120V, 2.5 Amp	
34	2	H566	#5 – x.50 Screw (10's)	

*Not Shown

POWER NOZZLE ELECTRIFIED HOSE ASSEMBLY



ITEM NO.	NO. REQ.	PART NO.	PART DESCRIPTION	PRICE
1	1	R5826	Electrified Hose & Handle Asm.	
2	1	R6055	Electrified Hose Assembly (Includes Terminal)	
3	1	R1775	Closed End Splice	
4	1	R6908	Electrified Hose Handle Kit (Includes Left & Right Handle Halves)	
5	2	R2521	Rexair Logo	
6	1	R5832	Insert & Wand Assembly - Includes -	
7	1	R8142	Handle Insert	
8	1	R5668	P/N Top Handle Wand Asm.	
9	7	H566	Screw, #5 x .50 (10's)	
10	1	R6942	Receptacle	
11	1	R5295	Hose Handle Switch	
12	1	R6893	Actuator Spring	
13	1	R5975	Switch Actuator	
14	1	R5661	Straight Wand Assembly	
*15	1	R5827	Operation Manual	
*16		R3520	Cord Guide Replacement Kit	
17	1	R3113	Warning Label	

*Not Shown