

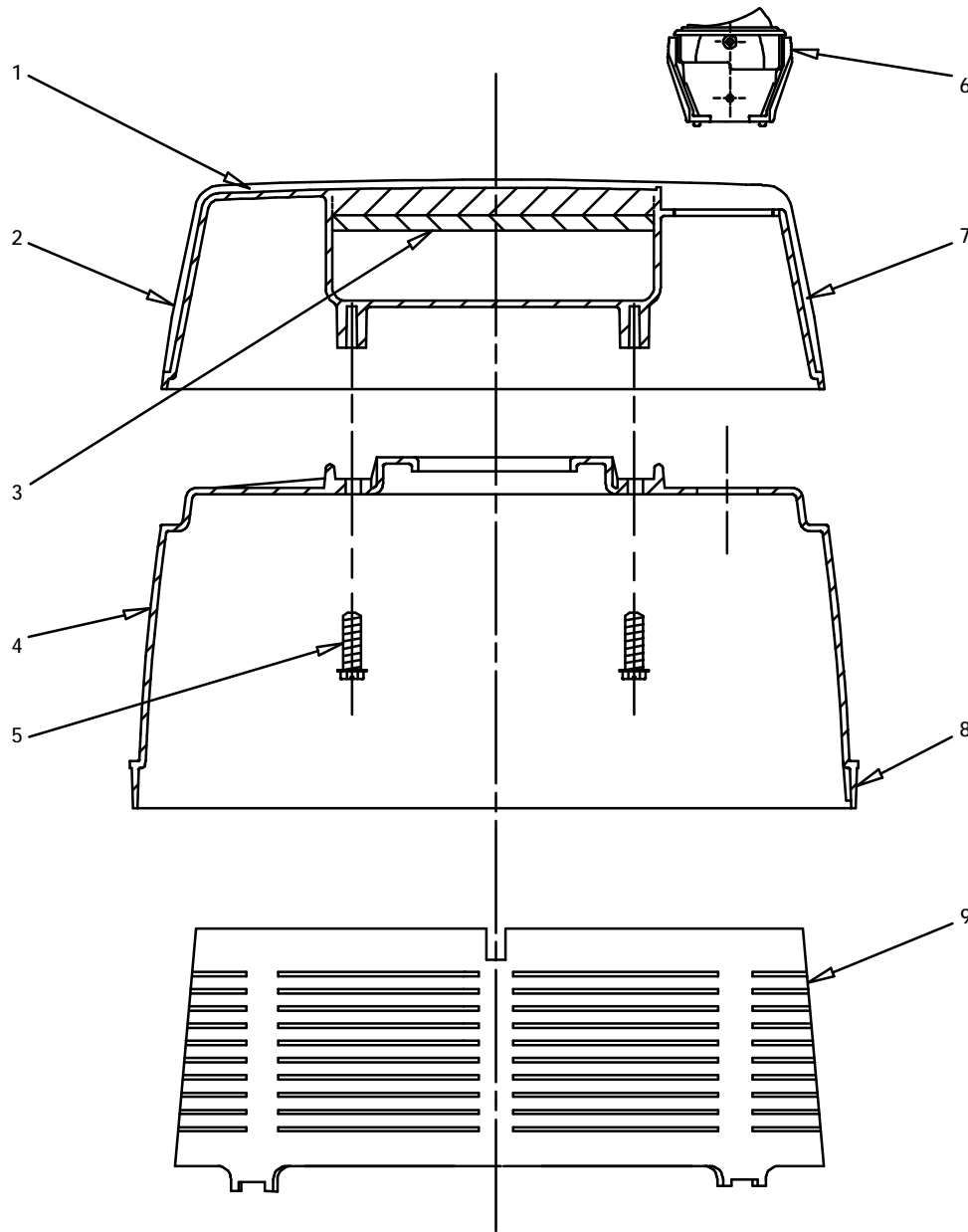
Rainbow[®] D4

SECTION IV

Parts List & Illustrations D4 Attachments

*The Configuration Of The Rainbow Cleaning System And The Words "**RAINBOW**" And "REXAIR" Are Registered Trademarks Of Rexair, Inc., Troy, Michigan.*

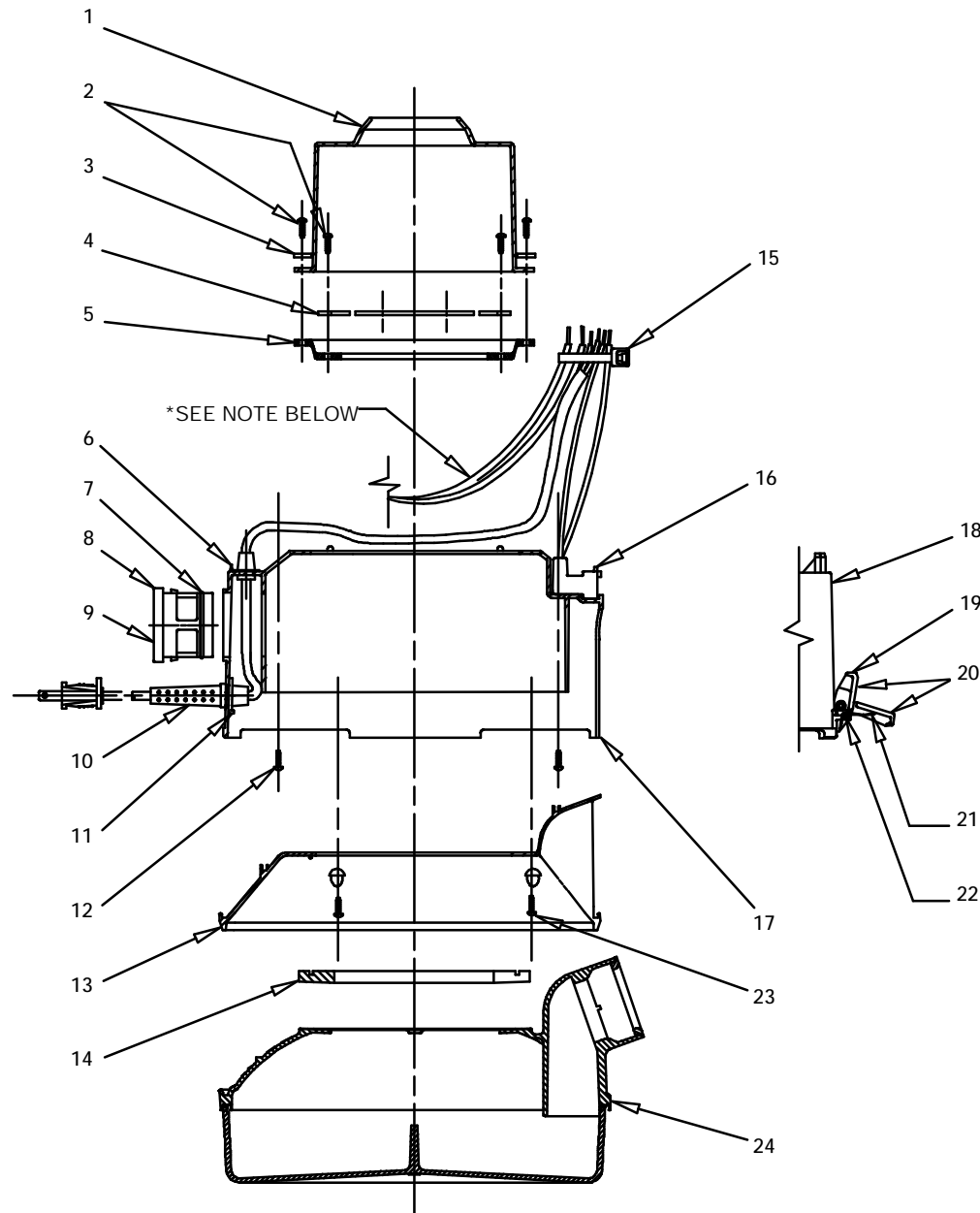
CAP AND CAP COVER ASSEMBLY



ITEM NO.	NO. REQ.	PART NO.	PART DESCRIPTION	PRICE
	1	R3240	Cap & Cap Cover Asm.	
	1	R3584	Cap & Cap Cover Asm. W/O Baffle	
1	1	R2721	Handle Applique Top	
2	1	R3160	Cap Cover Assembly - Includes - R-2584 Handle Pad R-2721 Handle Applique, Top R-2722 Handle Applique, Side	
3	1	R2584	Handle Pad	
*4	1	R4369	Cap Assembly - Includes - R-5403 Cap Applique	
5	4	H515	Plascrew 10-10 x .62 (10's)	
6	1	R2728	Switch	
7	1	R2722	Handle Applique, Side	
*8	1	R5403	Cap Applique	
	1	R2592	Cap Applique	
9	1	R2764	Outer Baffle Assembly	
*10	4	R2755	Closed End Splice (10's) (For Use w/R-2728 Switch)	

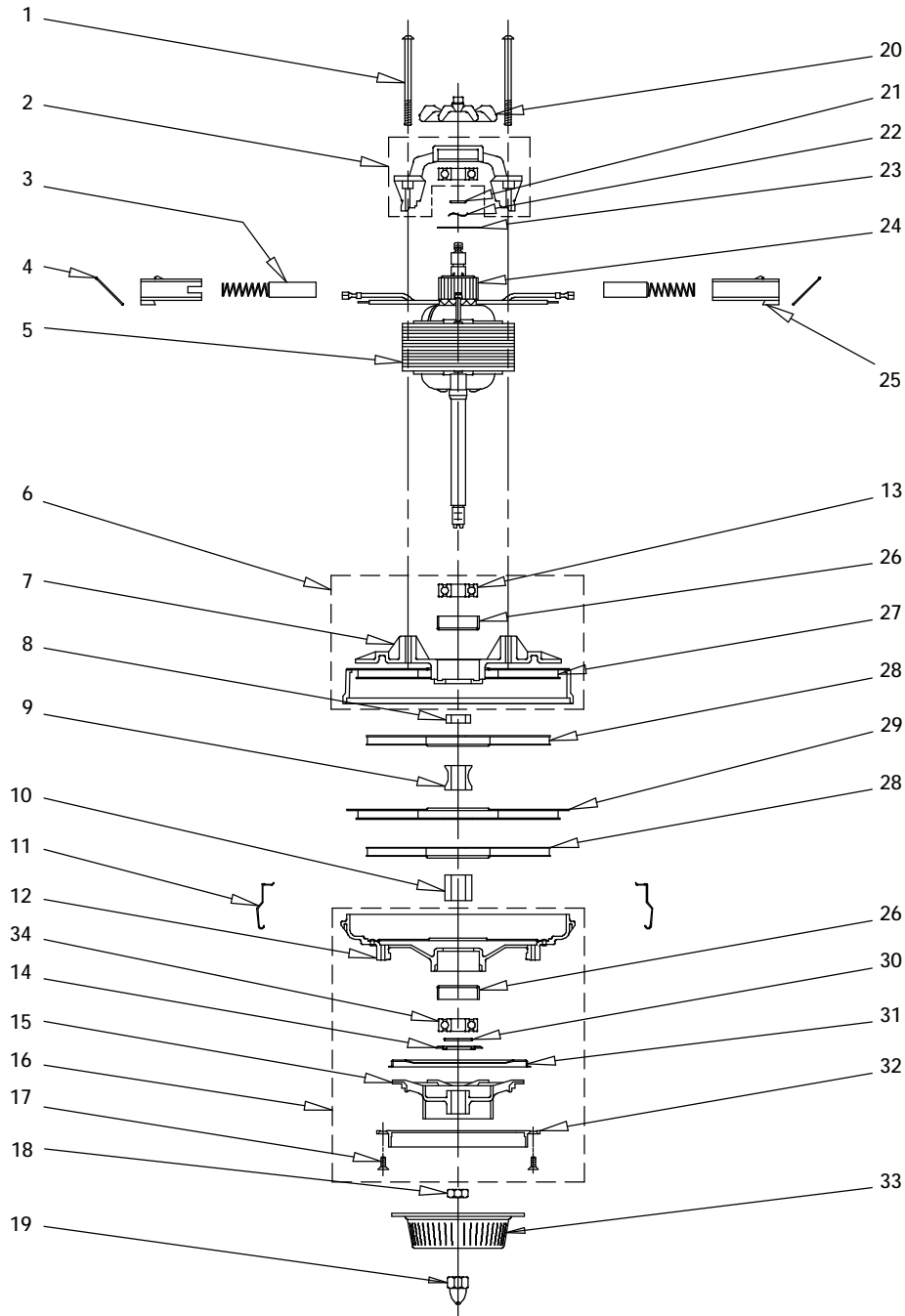
*R-3161 Cap Assembly Obsolete 6-01-93. Order R-4323 Cap Applique for caps made prior to 6-01-93. R-5403 Cap Applique is interchangeable.

MAIN HOUSING AND WATERPAN ASSEMBLIES



ITEM NO.	NO. REQ.	PART NO.	PART DESCRIPTION	PRICE
1	1	R2582	Motor Shroud	
2	16	H556	Plas Screw 8-10 x .62 (10's)	
3	2	R2172	Clamp Ring Segment (Prior To Serial No. 6476946, (4) R-2172 Required)	
4	4	R2585	Clamp Ring Segment	
5	1	R2701	Motor Support Ring	
6	1	R2607	Strain Relief Clip	
7	1	R4148	"O" Ring For Closure Cover (10's)	
8	1	R2708	Closure Cover Assembly (Prior To Serial No. 6878827)	
	2	R2706	Latch Assembly (For R-2708)	
	1	R3845	Closure Cover Assembly - Includes - R-2772 Applique R-4148 "O" Ring	
9	1	R2772	Closure Cover Applique	
10	1	R4052	Electric Cord	
11	1	R2605	Strain Relief Support	
12	4	H515	Screw (Main Hsg. To Cap) (10's)	
13	1	R3222	Baffle Plate Assembly	
14	1	R2702	Motor Gasket	
15	1	R2380	Cable Tie (10's)	
16	1	R3184	Power Nozzle Receptacle	
17	1	R4230	Main Housing Sub-Assembly	
	1	R3065	Main Housing Sub-Assembly	
18	1	R4201	Main Housing Applique	
	1	R2586	Main Housing Applique (Glossy)	
19	2	R6178	Latch Assembly	
20	4	R4203	Latch Applique (4's) - (Up To Serial No. 8,000,000)	
	4	R2593	Latch Applique (4's) (Glossy)	
21	2	R2654	Latch Spring (10's)	
22	2	R1566	Latch Pin (5's)	
23	4	H491	Plas Screw 8-10x.50	
24	1	R6854	Water Pan Assembly	

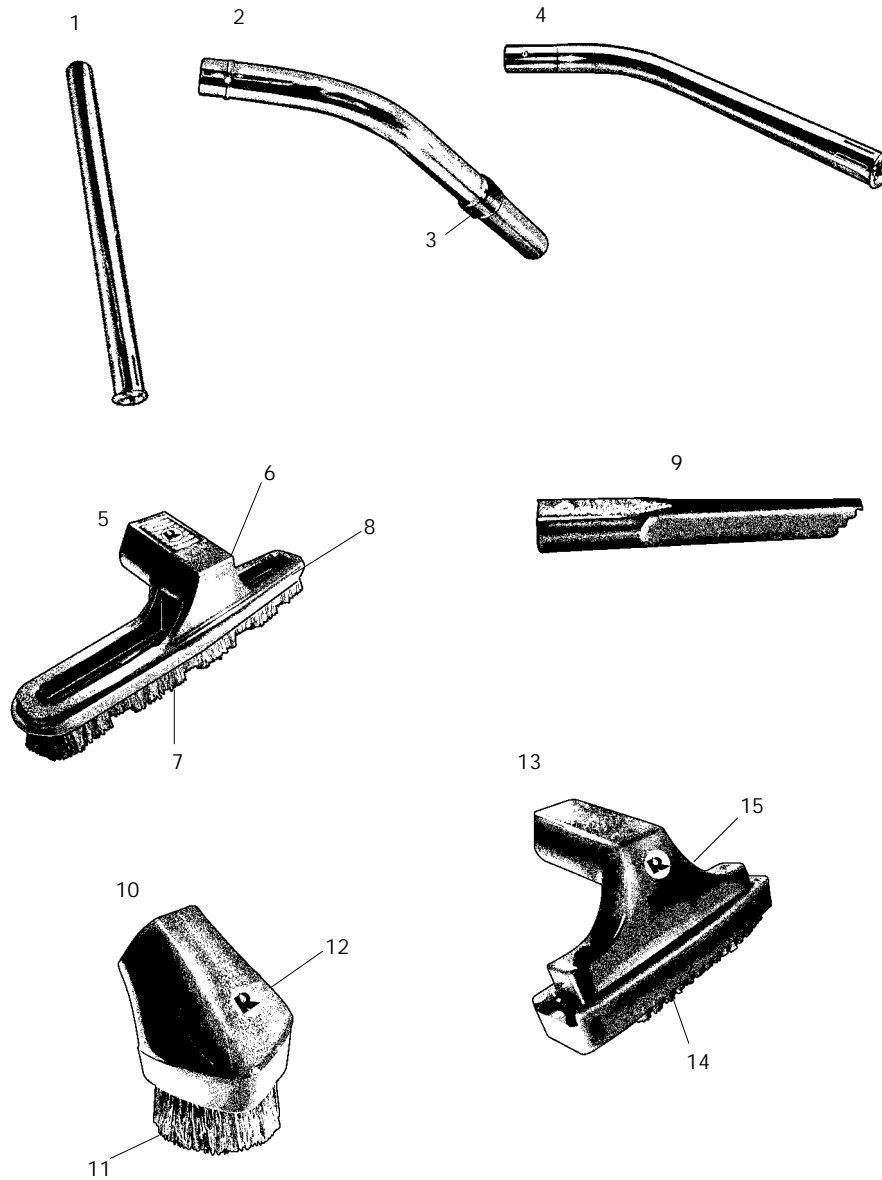
R-3242 PACKED SERVICE MOTOR ASSEMBLY



ITEM NO.	NO. REQ.	PART NO.	PART DESCRIPTION	PRICE
		R3242	Packed Service Motor Asm.	
1	2	H545	Plas Screw 10-10x 2.81 (10's)	
2	1	R2677	Bearing Bridge Assembly	
3	2	R5125	Motor Brush, Tall	
	2	R2421	Motor Brush (Up To Serial No. 7520714)	
4	2	R2703	Brush Holder Clip (5's)	
*5	1	R3159	Field Assembly	
6	1	R2773	Motor Base And Bearing Asm.	
7	1	R2636	Motor Base Assembly	
8	1	R2680	Fan Spacer, Top	
9	1	R2681	Fan Spacer, Middle	
10	1	R2679	Fan Spacer, Lower	
11	4	R2682	Stage Housing Clip (10's)	
12	1	R2774	Lower Housing And Inner Baffle Plate Assembly	
13	1	R1981	Ball Bearing	
14	1	R2630	Bearing Retainer Shield (5's)	
15	1	R4101	Spider	
16	1	R4612	Lower Housing Assembly	
17	8	H542	Plas Screw 8-10x.43 (10's)	
18	1	H526	Armature Shaft Nut	
19	1	H555	Separator Nut - Flat (5's) (Purchased Separately)	
**20	1	R3277	Motor Fan	
21	1	R5758	Tolerance Ring (5's)	
	1	R2936	"O" Ring (5's) (Use w/Armatures Produced Up To Serial No. 8101265)	
22	1	R2525	Wave Washer (5's)	
23	1	R2946	Insulator Washer (5's)	
***24	1	R5319	Armature Assembly	
***25	2	R5124	Brush Holder	
	2	R2700	Brush Holder (Up To Serial No. 7520714)	
26	2	R1987	Bearing Boot	
27	1	R2613	Upper Stage Assembly	
28	2	R2609	Fan Assembly	
29	1	R2617	Lower Stage Assembly	
30	1	R1979	Slinger Ring (10's)	
31	1	R2698	Outer Baffle Plate	
32	1	R747	Motor Gasket Flange	
33	1	R4100	Separator (Purchased Separately)	
34	1	R5238	Ball Bearing	

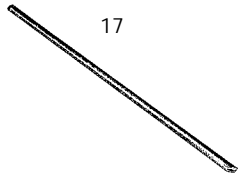
*Replaces R-2597 Field Assembly, effective serial no. 6051104. **Replaces R-2655 Motor Fan, effective serial no. 6214174. ***Effective 3-29-93, R-2598 Armature Assembly is obsolete and is replaced with R-5319 Armature Assembly. R-5124 Tall Brush Holder and R-5125 Tall Brushes are not to be used with R-2598 Armature Assembly. R-2677 Bearing Bridge Assemblies produced after 9/92 will accept R-5124 Tall Brush Holders and R-5125 Tall Brushes.

D4 RAINBOW ATTACHMENTS/OPTIONAL EQUIPMENT

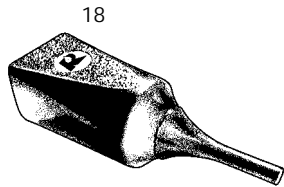


ITEM NO.	PART NO.	PART DESCRIPTION	PRICE
1	R933	Straight Wand	
2	R8407	Curved Wand	
3	R2792	Suction Control Sleeve	
4	R934	Bottom Wand	
5	R8058	Floor Tool Assembly	
6	R4659	Floor Tool Body W/Logo	
7	R2540	Floor Tool Bristles	
8	R2816	Floor Tool Guard	
9	R8056	Crevice Tool	
10	R12439	Dusting Brush Assembly	
11	R192	Dusting Brush Bristles	
12	R12438	Dusting Brush Body W/Logo	
13	R2535	Upholstery Tool Assembly	
14	R2537	Upholstery Tool Brush	
15	R3079	Upholstery Tool Body W/Logo	
*16	R2521	Rainbow Logo (50/Roll)	

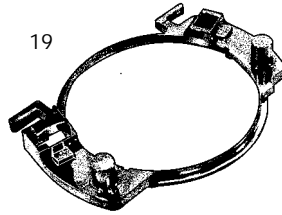
D4 RAINBOW ATTACHMENTS/OPTIONAL EQUIPMENT



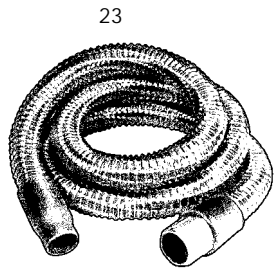
17



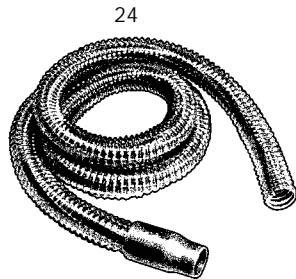
18



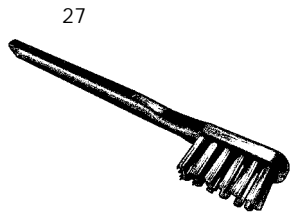
19



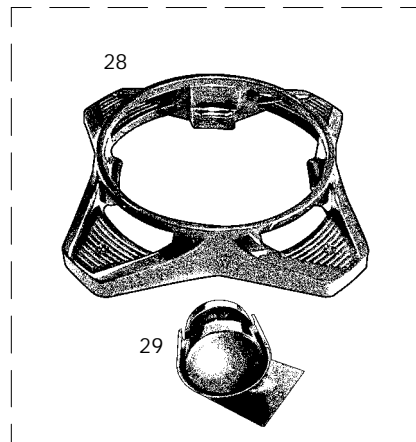
23



24



27



28

29

17	R4142	Coil Cleaner
18	R3358	Inflator Tool Assembly
19	R2709	Attachment Caddy
*20	R3816	Caddy Swivel Arm Pin
*21	H564	Caddy Swivel Arm Spring (5's)
*22	H565	Caddy Swivel Arm E-Ring (5's) (Effective Through Serial No. 7175254)
23	R6621	Hose Assembly, 18-Yarn
24	R4718	Hose W/Molded Tip
*25	R2784	Hose Coupling
*26	R579	Hose Tip Only
27	R841	Separator Brush
28	R2811	Dolly W/O Casters (Twin) (4's)
29	R2812	Dolly Casters (Twin) (4's)
*30	R3055	Dolly Applique (glossy) (4's)
	R3780	Dolly Applique (satin) (4's)

*Not Shown