

# *Rainbow*<sup>®</sup> D2 & D2A

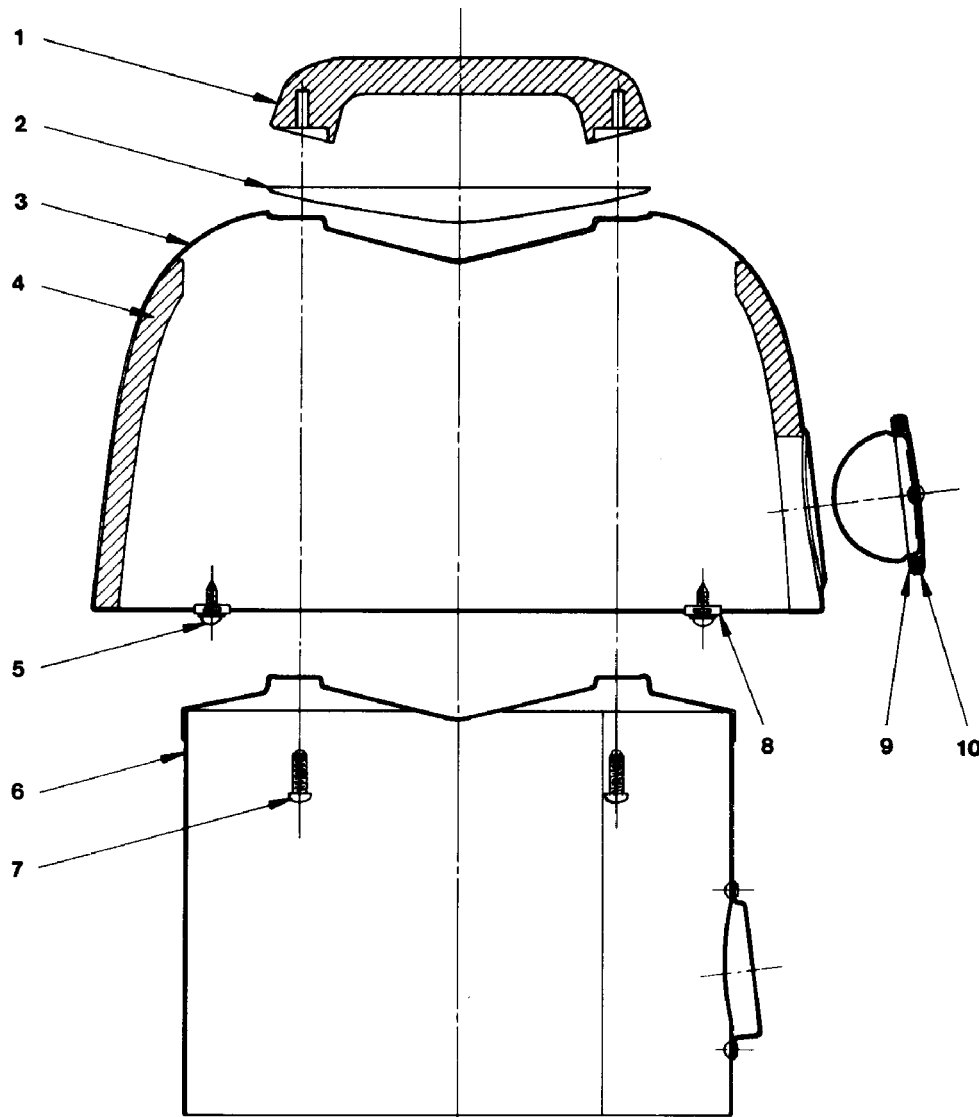
**SECTION VI**

## ***Parts List & Illustrations D2 & D2A Attachments***

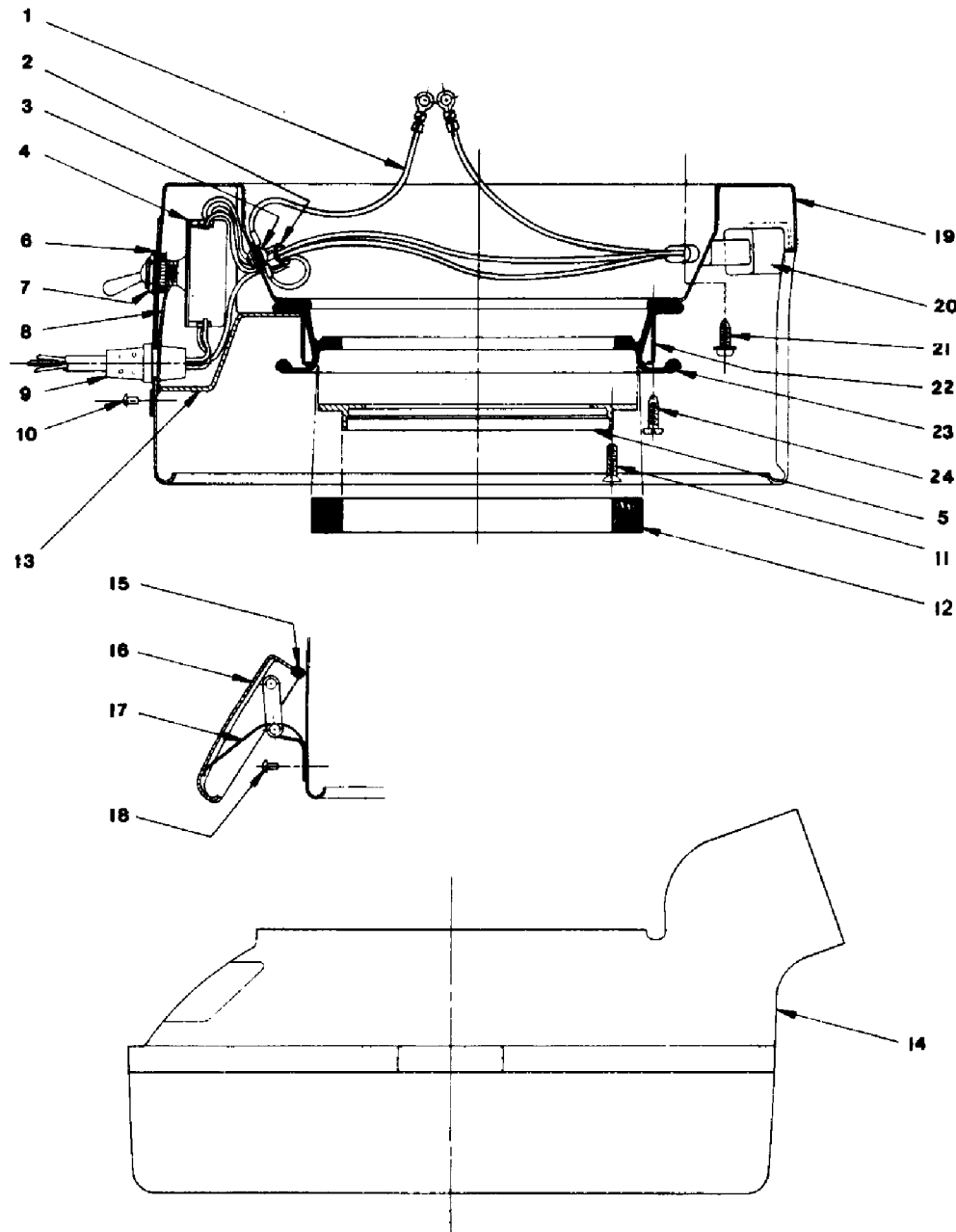
*“RAINBOW” The Configuration Of The Rainbow Cleaning System And The Words “RAINBOW” And “REXAIR” Are Registered Trademarks Of Rexair, Inc., Troy, Michigan.*

## CAP AND BAFFLE ASSEMBLY

| ITEM NO. | NO. REQ. | PART NO. | PART DESCRIPTION          | PRICE |
|----------|----------|----------|---------------------------|-------|
|          | 1        | R640     | Cap Assembly, Complete    |       |
| 1        | 1        | R1236    | Handle                    |       |
| 2        | 1        | R814     | Rainbow Disc              |       |
| 3        | 1        | R2939    | Cap Only (Replaces R-640) |       |
| 4        | 1        | R1302    | Cap Insulation            |       |
| 5        | 4        | H448     | Screw, Sheet Metal (10's) |       |
| 6        | 1        | R642     | Baffle Assembly           |       |
| 7        | 2        | H451     | Hi-Lo Screw               |       |
| 8        | 4        | H398     | Speed Nut (10's)          |       |
| 9        | 1        | R714     | Gasket, Closure Cover     |       |
| 10       | 1        | R710     | Closure Assembly          |       |



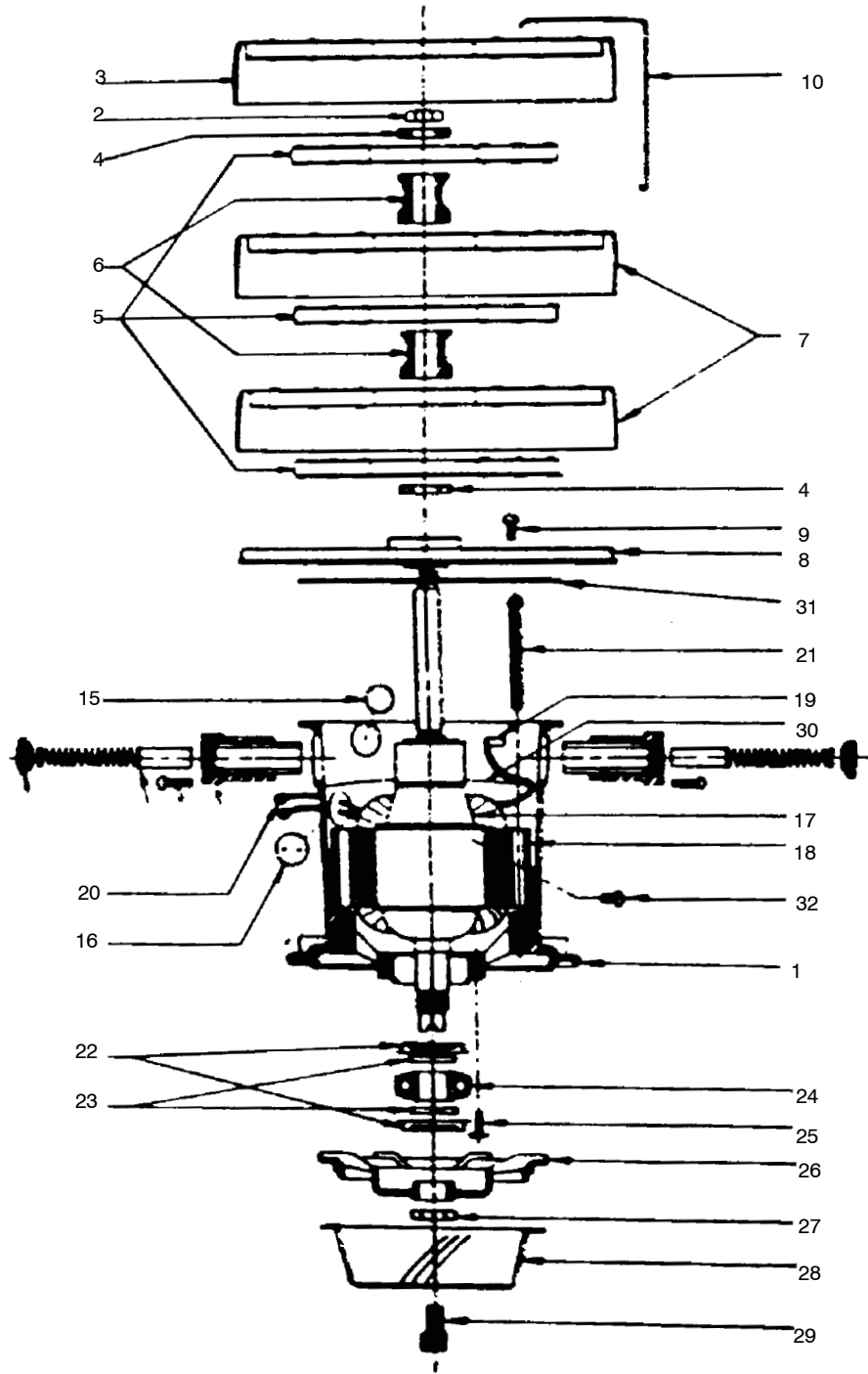
## MAIN HOUSING AND WATERPAN ASSEMBLIES



| ITEM NO. | NO. REQ. | PART NO. | PART DESCRIPTION               | PRICE |
|----------|----------|----------|--------------------------------|-------|
|          |          | R1253    | Pkd. Service Kit, Main Housing |       |
| 1        | 1        | R1848    | Ground Lead Assembly           |       |
| 2        | 2        | R1158    | Open/Closed Bushing (5's)      |       |
| 3        | 1        | H25      | Lockwasher Screw (10's)        |       |
| 4        | 1        | R625     | Switch Assembly                |       |
| 5        | 1        | R747     | Motor Gasket Flange            |       |
| 6        | 1        | H364     | Washer (10's)                  |       |
| 7        | 1        | R408     | Hex Nut (Inc. W/R-625)         |       |
| 8        | 1        | R776     | Strain Relief Support          |       |
| *9       | 1        | R1030    | Electric Cord (3-Wire)         |       |
| 10       | 2        | H366     | Rivet (10's)                   |       |
| 11       | 8        | H378     | Machine Screw (10's)           |       |
| 12       | 1        | R912     | Motor Gasket                   |       |
| 13       | 1        | R750     | Switch Cover                   |       |
| 14       | 1        | R601     | Water Pan, 2-Qt.               |       |
| 15       | 2        | R811     | Fastener Bumper                |       |
| 16       | 2        | R627     | Fastener Assembly              |       |
| 17       | 2        | R631     | Fastener Spring (5's)          |       |
| 18       | 2        | H303     | Rivet (10's)                   |       |
| *19      | 1        | R1279    | Main Housing Only (3-Wire)     |       |
| *20      | 1        | R1761    | Receptacle Assembly (3-Wire)   |       |
| 21       | 4        | H448     | Sheet Metal Screw (10's)       |       |
| 22       | 1        | R598     | Outer Clamp Ring               |       |
| 23       | 1        | R599     | Motor Support Ring             |       |
| 24       | 8        | H402     | Sheet Metal Screw              |       |

\*Parts not available for 2-wire machine. Replaced with 3-wire components.

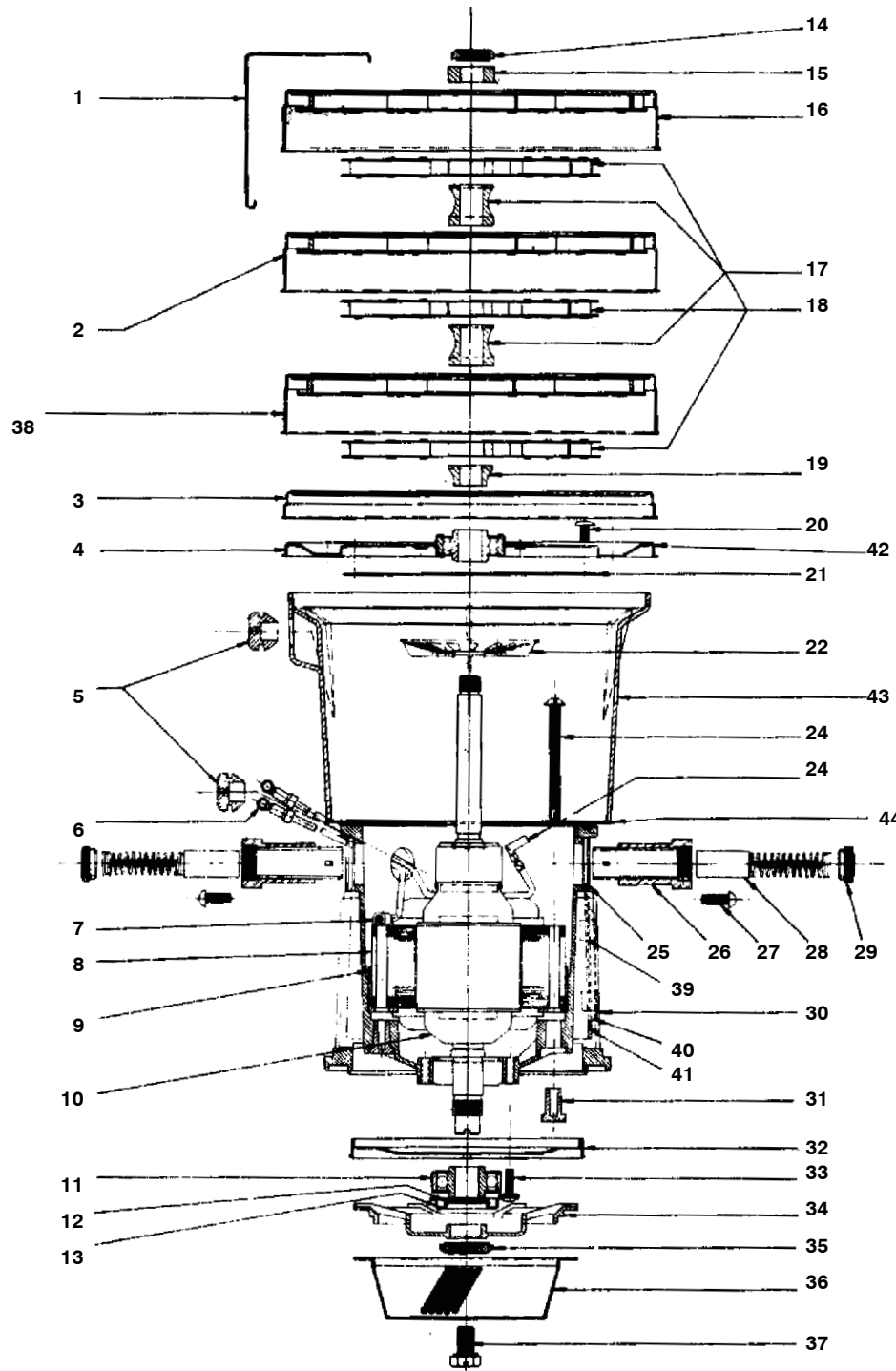
**MOTOR UNIT ASSEMBLY – D2 ONLY**



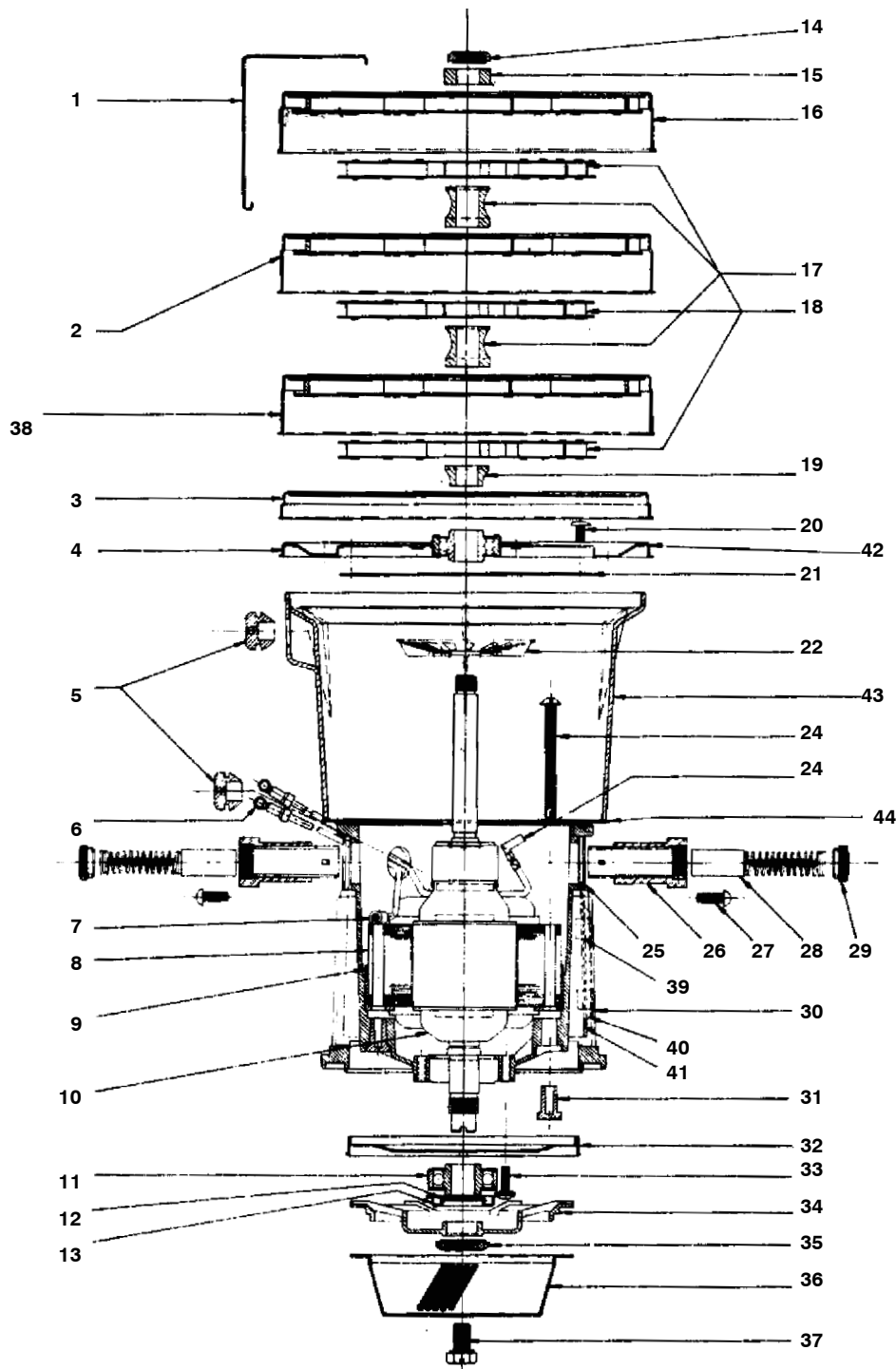
| ITEM NO. | NO. REQ. | PART NO. | PART DESCRIPTION                  | PRICE |
|----------|----------|----------|-----------------------------------|-------|
|          |          | *R1395   | Motor Unit Assembly               |       |
| 1        | 1        | R1370    | Motor Housing                     |       |
| 2        | 1        | H306     | Shaft Nut (10's)                  |       |
| 3        | 1        | R683     | Stage Assembly, Upper             |       |
| 4        | 2        | R671     | Spacers                           |       |
| 5        | 3        | R675     | Fan Assemblies                    |       |
| 6        | 2        | R672     | Fan Spacers (10's)                |       |
| 7        | 2        | R679     | Stage Assembly, Lower             |       |
| 8        | 1        | R667     | Bearing Plate Assembly            |       |
| 9        | 4        | H475     | Screw Machine, Truss Head (10's)  |       |
| 10       | 3        | R685     | Stage Housing Clips               |       |
| 11       | 2        | R662     | Brush Holders                     |       |
| 12       | 2        | R1552    | Motor Brushes                     |       |
| 13       | 2        | R2420    | Screw Caps (Brush Holder) (5's)   |       |
| 14       | 4        | H309     | Machine Screws (10's)             |       |
| 15       | 2        | R623     | Peep Hole Cover (5's)             |       |
| 16       | 1        | R665     | Grommet                           |       |
| 17       | 1        | R692     | Armature Assembly                 |       |
| 18       | 1        | R700     | Field Assembly                    |       |
| 19       | 2        | R2423    | Terminal (10's) (Replaced R-1578) |       |
| 20       | 2        | R1853    | Terminal, Insulated               |       |
| 21       | 2        | H474     | Motor Field Screws                |       |
| 22       | 2        | R146     | Bearing Shield (10's)             |       |
| 23       | 2        | R147     | Slinger Ring (10's)               |       |
| 24       | 1        | R1180    | Ball Bearing                      |       |
| 25       | 4        | H308     | Lockwasher Screws (10's)          |       |
| 26       | 1        | R688     | Spider                            |       |
| 27       | 1        | H13      | Shaft Nut (10's)                  |       |
| 28       | 1        | R4100    | Separator                         |       |
| 29       | 1        | R3450    | Separator Screw (5's)             |       |
| 30       | 1        | R666     | Air Deflector                     |       |
| 31       | 1        | R1415    | Gasket, Bearing Plate             |       |
| 32       | 1        | H452     | Ground Screw                      |       |
| **33     | 1        | R2490    | Brush Kit                         |       |

\*Note: See replacement motor sheets in this section. \*\*Not shown.

**REPLACEMENT MOTOR ASM. – START DATE 3/80  
MODELS D2 & D2A  
REPLACED BY R-2104**



| ITEM NO. | NO. REQ. | PART NO. | PART DESCRIPTION                       | PRICE |
|----------|----------|----------|--|-------|
|          |          | *R1405   | Motor Unit Assembly                    |       |
| 1        | 3        | R1423    | Stage Housing Clip (5's)               |       |
| 2        | 1        | R1419    | Stage Assembly (Middle)                |       |
| 3        | 1        | R1418    | Air Guide                              |       |
| 4        | 1        | R1411    | Bearing Plate Assembly                 |       |
| 5        | 2        | R665     | Grommet                                |       |
| 6        | 2        | R1853    | Terminal, Insulated                    |       |
| 7        | 1        | H487     | Cable Clamp (10's)                     |       |
| 8        | 1        | R1435    | Field Assembly (Replaced By R-2424)    |       |
|          | 1        | R2424    | Field Assembly                         |       |
| 9        | 1        | R1454    | Field Insulator                        |       |
| 10       | 1        | R1426    | Armature Assembly (Replaced By R-1909) |       |
|          | 1        | R1909    | Armature Assembly                      |       |
| 11       | 1        | R1180    | Ball Bearing, Lower                    |       |
| 12       | 1        | R147     | Slinger Ring (10's)                    |       |
| 13       | 1        | R146     | Bearing Shield (10's)                  |       |
| 14       | 1        | H306     | Shaft Nut, Upper (10's)                |       |
| 15       | 1        | R1486    | Spacer                                 |       |
| 16       | 1        | R1421    | Stage Assembly, Upper                  |       |
| 17       | 2        | R1417    | Fan Spacer, Middle                     |       |
| 18       | 3        | R675     | Fan Assembly                           |       |
| 19       | 1        | R1416    | Fan Spacer, Lower                      |       |
| 20       | 8        | H475     | Screw, Bearing Plate                   |       |
| 21       | 1        | R1415    | Gasket, Bearing Plate                  |       |
| 22       | 1        | R1469    | Fan (Armature Cooling)                 |       |
| 23       | 2        | H474     | Screw, Motor Field                     |       |
| 24       | 2        | R2423    | Terminal (Brush Flag) (10's)           |       |
| 25       | 2        | R1455    | Gasket, Brush Holder (10's)            |       |
| 26       | 2        | R662     | Brush Holder                           |       |
| 27       | 4        | H309     | Screw, Brush Holder (10's)             |       |
| 28       | 2        | R1552    | Carbon Brush & Spring Asm.             |       |
| 29       | 2        | R2420    | Screw Cap (5's)                        |       |
| 30       | 1        | R1448    | Motor Housing                          |       |
| 31       | 2        | R1449    | Insul., Field Screw (10's)             |       |
| 32       | 1        | R1424    | Air Deflector                          |       |
| 33       | 4        | H308     | Screw, Lower Bearing (10's)            |       |
| 34       | 1        | R1425    | Spider                                 |       |
| 35       | 1        | H13      | Shaft Nut (Lower) (10's)               |       |
| 36       | 1        | R312     | Separator                              |       |
| 37       | 1        | R3450    | Separator Screw (5's)                  |       |
| 38       | 1        | R1752    | Lower Stage Asm. (W/Ground Nut)        |       |
| 39       | 4        | R1473    | Retainer, Cover Plate (5's)            |       |

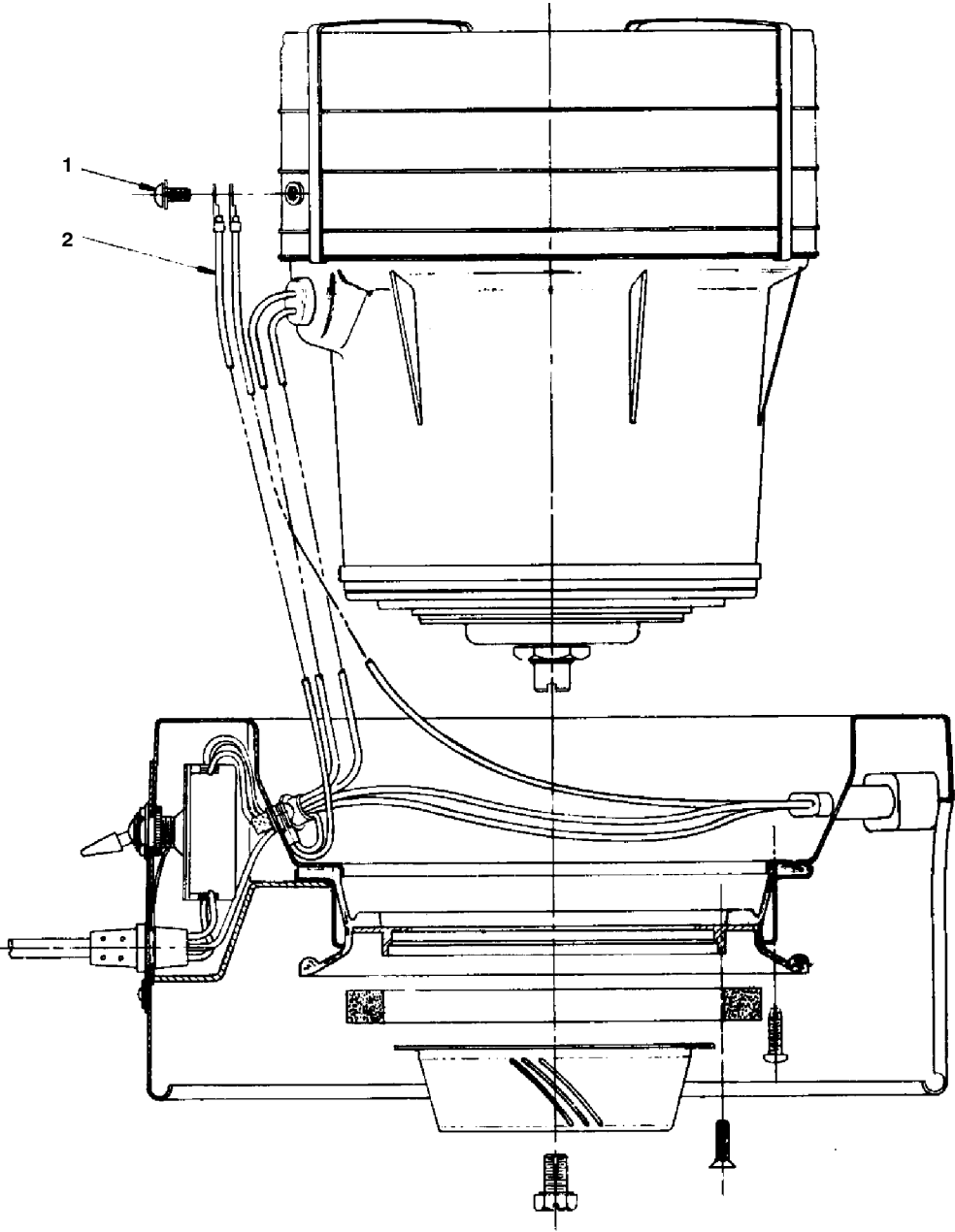


|      |   |       |                            |
|------|---|-------|----------------------------|
| 40   | 2 | R1471 | Cover Plate (5's)          |
| 41   | 2 | R1470 | Gasket, Cover Plate (10's) |
| 42   | 1 | R1794 | Gasket, Upper Shell        |
| 43   | 1 | R1407 | Shell Motor Housing        |
| 44   | 1 | R1795 | Gasket, Lower Shell        |
| **45 | 1 | R2490 | Brush Kit                  |

\*Note: See replacement motor grounding component sheet in this section. Also see replacement motor sheet in this section. \*\*Not shown.

**REPLACEMENT MOTOR GROUNDING  
COMPONENTS**

**D2 SEALED BY-PASS CONVERSION ASSEMBLY  
(USING 120-VOLT REPLACEMENT MOTOR)**



| ITEM NO. | NO. REQ. | PART NO. | PART DESCRIPTION                |
|----------|----------|----------|---------------------------------|
| 1        | 1        | H25      | Screw With Lockwasher           |
| 2        | 1        | R1848    | Ground Lead Assembly (Obsolete) |

## D2 ATTACHMENTS

| ITEM NO. | PART NO. | PART DESCRIPTION                  | PRICE |
|----------|----------|-----------------------------------|-------|
| 1        | R933     | Straight Wand                     |       |
| 2        | R930     | Curved Wand Assembly Complete     |       |
| 3        | R932     | Suction Control Sleeve            |       |
| 4        | R934     | Bottom Wand                       |       |
| 5        | R8056    | Crevice Tool                      |       |
| 6        | R8055    | Upholstery Tool Assembly Complete |       |
| 7        | R1847    | Upholstery Tool W/O Brush         |       |
| 8        | R900     | Upholstery Tool Brush             |       |
| 9        | R8058    | Floor Brush Assembly Complete     |       |
| 10       | R2006    | Floor Tool Body (Upper)           |       |
| 11       | R12439   | Dusting Brush Assembly Complete   |       |
| 12       | R12438   | Dusting Brush Body                |       |
| 13       | R192     | Dusting Brush Bristle             |       |
| 14       | R2005    | Floor Tool Body (Lower)           |       |
| 15       | H528     | Screws For Floor Tool Body (10's) |       |
| 16       | R188     | Floor Tool Bristle                |       |
| 17       | R587     | Floor Tool Guard                  |       |
| 18       | R6621    | Hose Assembly Complete            |       |
| 19       | R1925    | Hose And Molded Tip               |       |
| 20       | R579     | Hose Tip Only                     |       |
| 21       | R573     | Hose Coupling Assembly            |       |
| 22       | R1518    | Dolly Assembly (Replaces R-850)   |       |
| 23       | R1571    | Dolly Applique                    |       |
| 24       | R1897    | Dolly Twin Caster Wheel (4's)     |       |
| 25       | R1654    | Dolly Single Caster Wheel         |       |
| 26       | R910     | Caster (R-850 Dolly)              |       |
| 27       | R841     | Separator Brush                   |       |
| 28       | R1290    | Operation Manual                  |       |
| 29       | R1819    | Attachment Kit                    |       |
| 30       | R1003    | Attachment Caddy                  |       |

\*All Items Not Shown