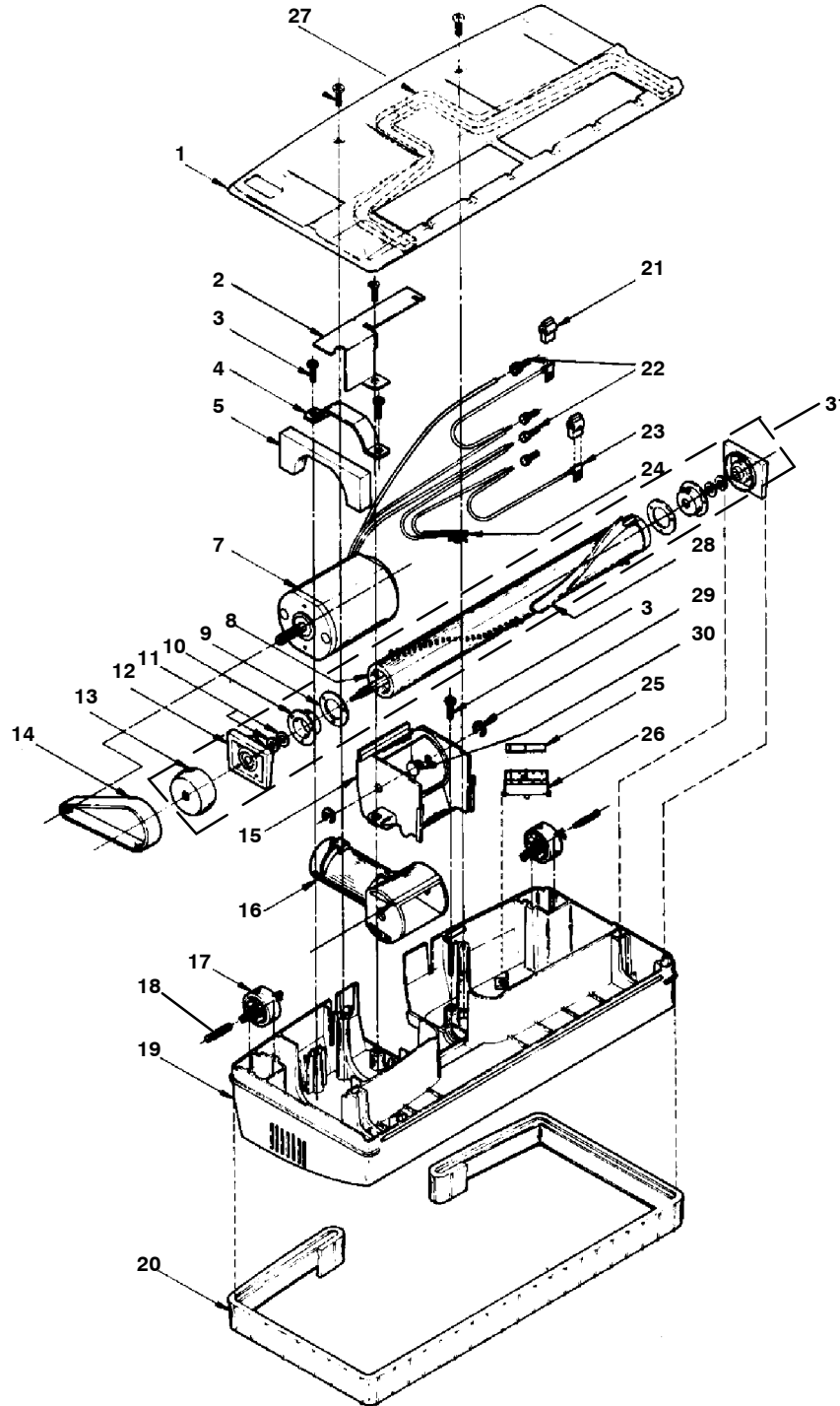


The logo features a large, bold, black letter 'R'. Inside the upper curve of the 'R', there is a white silhouette of a water droplet. To the right of the 'R', the words 'ainbow D3' are written in a bold, italicized, black sans-serif font. Below this, the words 'Power Nozzle' are written in a larger, bold, italicized, black sans-serif font.

Rainbow D3
Power Nozzle

THE CONFIGURATION OF THE RAINBOW CLEANING SYSTEM AND THE WORDS "RAINBOW" AND "REXAIR" ARE REGISTERED TRADEMARKS OF REXAIR, INC., TROY, MICHIGAN.

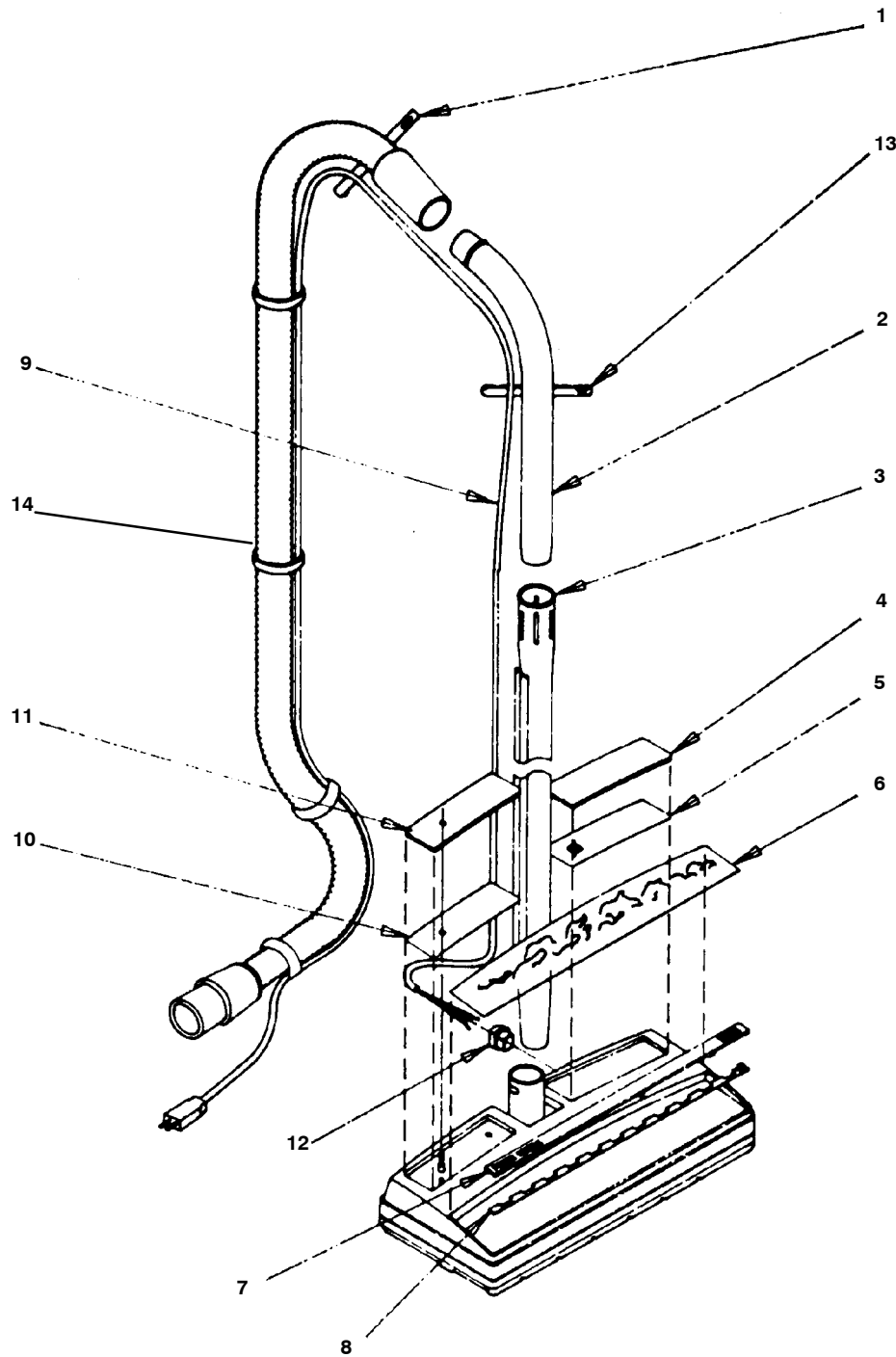
POWER NOZZLE ASSEMBLY (INTERNAL VIEW)



ITEM NO.	NO. REQ.	PART NO.	PART DESCRIPTION	PRICE
1	1	R2004	Sole Plate Assembly	
2	1	R1997	Insulator	
3	6	H515	Screw (10's)	
3a	2	H552	Screws (10's) For Use W/O R-1716	
4	1	R1716	Motor Bracket	
5	1	R1813	Air Barrier	
6	1	R2069	Felt Pad	
7	1	R1871	Motor	
	1	R4662	Power Nozzle Brush (10's)	
	1	R4663	Power Nozzle Bearing (5's)	
	1	R3550	Sleeve Assembly	
8	1	R1690	Brush Assembly	
9	2	R1692	Felt Seal (10's)	
10	13	R1691	Keeper	
11	4	R1698	Thrust Washer (10's)	
12	2	R1744	Bearing Assembly	
			- Includes -	
	4	R2443	End Caps	
13	1	R1702	Pulley	
14	1	R1699	Drive Belt	
15	1	R2803	Pivot Housing	
16	1	R2081	Pivot Arm Assembly	
17	2	R1703	Wheel	
18	2	R1704	Wheel Pin (5's)	
19	1	R4988	Main Housing	
20	1	R2795	Bumper	
21	1	R1778	Insulation Pod For R-1775 (10's) - Replaced By R-1754 Lead Asm. W/Pod	
22	3	R1775	Closed End Splice (10'S)	
23	2	R1754	Lead Assembly	
24	1	R1818	Indicator Light Assembly	
25	1	R1780	Circuit Breaker Insulator	
26	1	R8452	Circuit Breaker, 2.5 Amp (Replaced R-1747)	
27	2	R2003	Sole Plate Gasket	
28	2	R1695	Beater Bar	
29	2	H527	E-Ring (10's)	
30	2	R1996	Clevis Pin (10's)	
31	1	R1866	Complete Brush & Bearing Asm	
*32	1	R2228	Pivot Arm & Housing Kit (Replaces R-1711 & R-1713)	
*33	1	R3300	Pivot Arm & Housing Assembly	
	1	R2081	Pivot Arm Assembly (Included)	

*Not Shown

POWER NOZZLE ASSEMBLY (EXTERNAL VIEW)



ITEM NO.	NO. REQ.	PART NO.	PART DESCRIPTION	PRICE
1	5	R1045	Hose Cord Strap	
2	1	R1999	Curved Wand Assembly	
3	1	R5066	Straight Wand Assembly	
4	1	R3050	Lens, Right-Hand (Revised - See Below)	
5	1	R3052	Applique, Right-Hand	
6	1	R1994	Applique, Wood Grain	
7	1	R2775	Slide Valve Guide Assembly	
8	1	R1990	Slide Valve	
9	1	R2496	Cord, Power Nozzle (Revised - See Below)	
10	1	R1729	Applique, Left-Hand	
11	1	R2685	Lens, Left-Hand (Revised - See Below)	
12	1	R4053	Strain Relief Bushing (5's)	
13	1	R1045	Strap, Wand Cord	
14	1	R6621	Hose Assembly -Includes-	
	1	R2784	Hose Coupling Assembly	
	1	R579	Molded Tip Only	
*15		R2002	Operation Manual	
*16		R1877	Extension Cord Conversion	
*17		R3520	Cord Guide Replacement Kit	

ITEM NO.	PART NO.	UP TO SERIAL NO.	PART DESCRIPTION
4	R1683	00883682	Right Lens Assembly
9	R1717	00469887	Extension Cord (2-Prong)
9	R1714	00469887	Wand Cord (2-Prong)
	R1836		Wand Cord (3-Prong)
11	R1684	00715518	Left Lens

*Not Shown