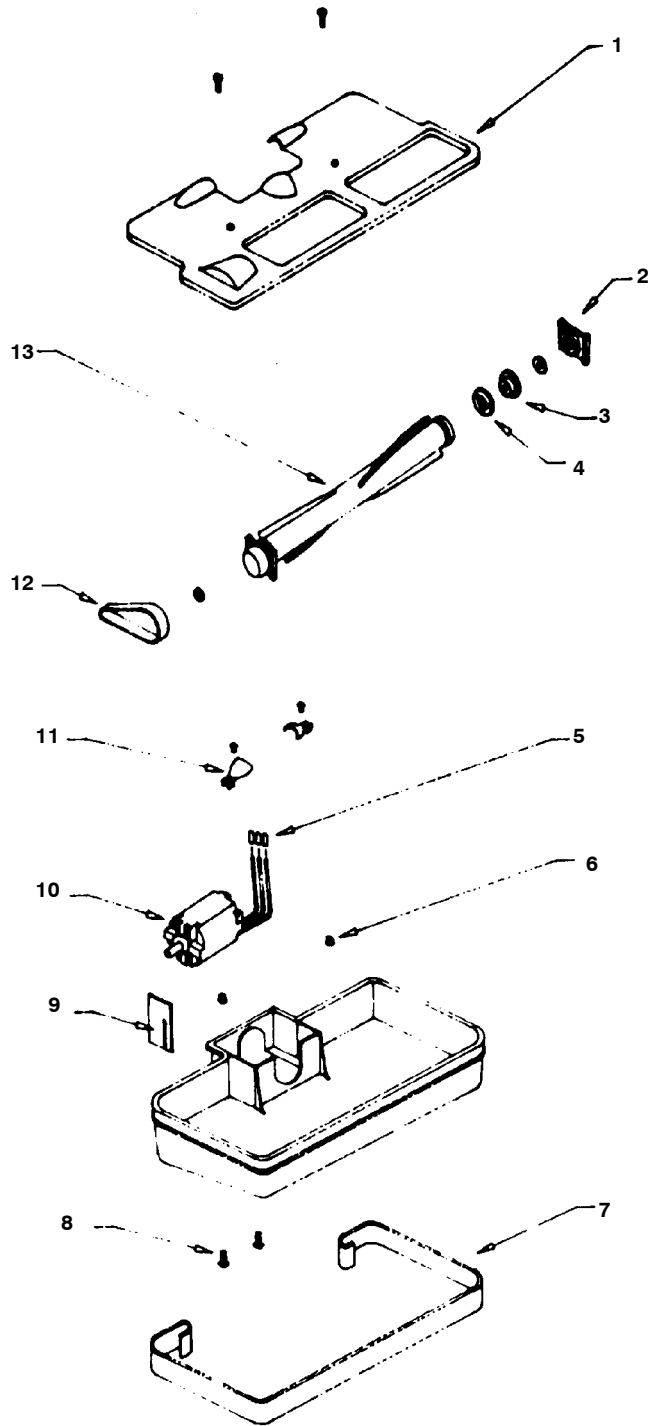




ainbow
Power Nozzle

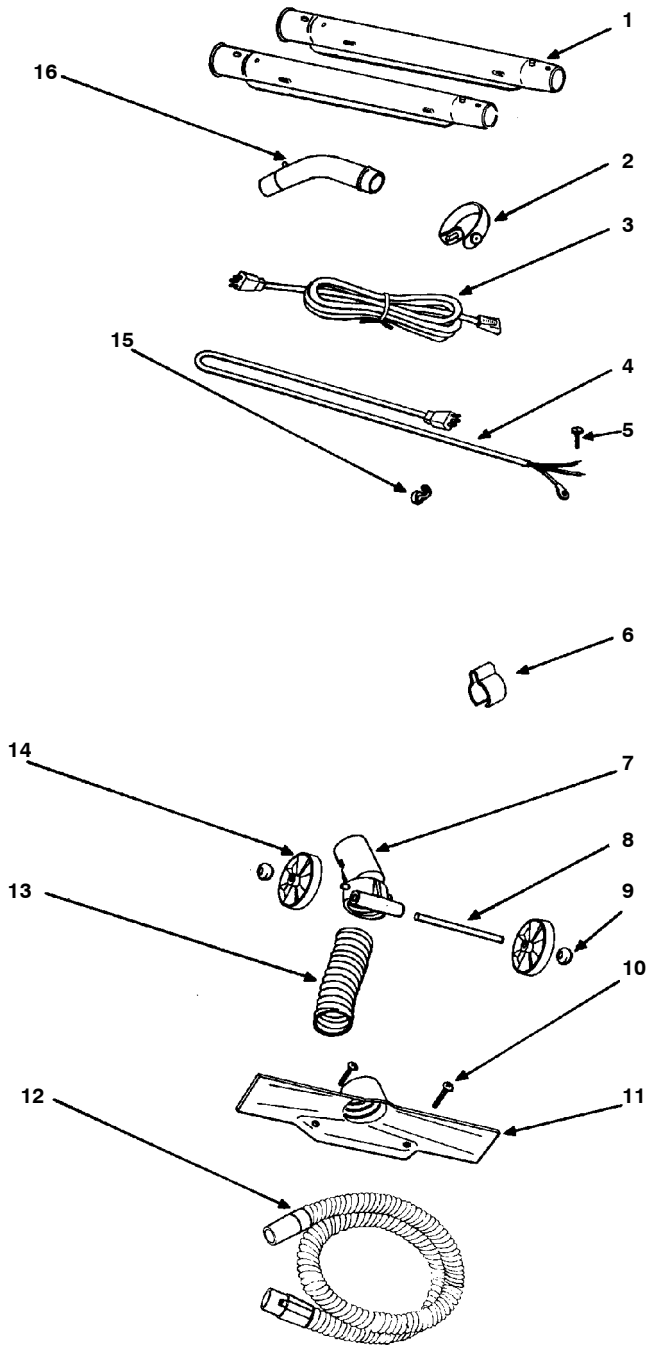
MODEL R-1024

POWER NOZZLE ASSEMBLY (INTERNAL VIEW)



ITEM NO.	NO. REQ.	PART NO.	PART DESCRIPTION	PRICE
1	1	R1536	Sole Plate Assembly - Includes - R1537 Gasket R1661 Gasket	
2	1	R1240	Bearing Assembly	
3	1	R1374	Felt Retainer	
4	1	R1375	Felt Washer	
5	3	H447	Wire Nut (10's)	
6	2	H486	Insert	
7	1	R1660	Furniture Guard	
8	2	H446	Screw (10's)	
9	1	R1399	Belt Guard	
10	1	R1939	Motor	
11	2	R1199	Retainer Plate	
12	1	R1029	Drive Belt	
13	1	R1781 (Models D-H)	Distributor - Includes - Bearing & Pulley Assembly	
	1	R1368 (Models A & B)	Distributor - Includes - Bearing & Pulley Assembly	

POWER NOZZLE ASSEMBLY (EXTERNAL VIEW)



ITEM NO.	NO. REQ.	PART NO.	PART DESCRIPTION	PRICE
1	2	R1492	Straight Wand	
2	5	R2653	Cord Strap Assembly (Replaced By R-1045)	
	5	R1045	Cord Strap Assembly	
3	1	R1249	Extension Cord Long, 3-Prong	
4	1	R1242	Cord & Plug Assembly	
5	1	H514	Ground Screw	
6	1	R1250	Channel Clamp	
7	1	R1786	Handle Socket Assembly	
8	1	R1190	Axle	
9	2	R1191	Axle Bearing	
10	2	H513	Screw	
11	1	R1785	Divider Inlet	
12	1	R1777	Hose Assembly (Replaced By R-2786)	
	1	R2786	Hose Assembly	
13	1	R1542	Inlet Hose	
14	2	R1494	Wheel	
15	1	R1366	Strain Relief	
16	1	R1040	Curved Wand Assembly	